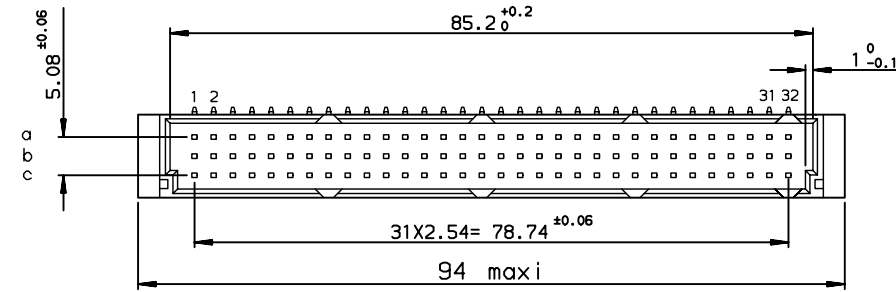
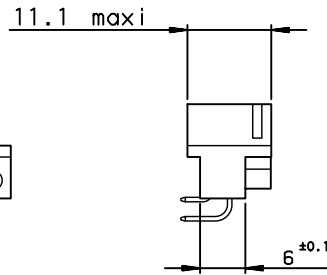
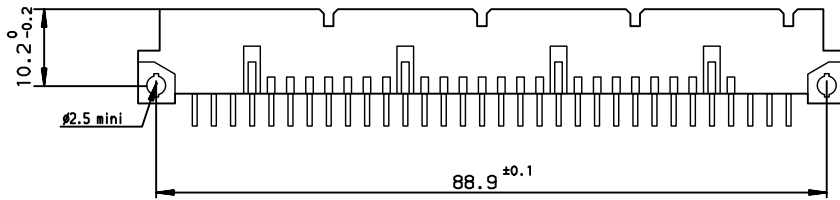
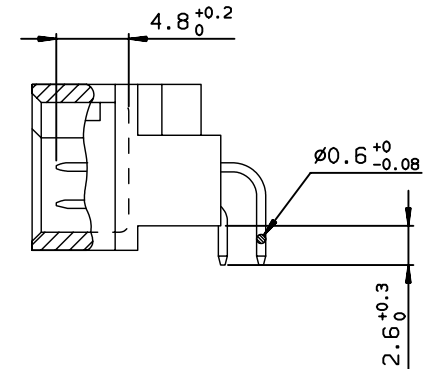


DIMENSIONS

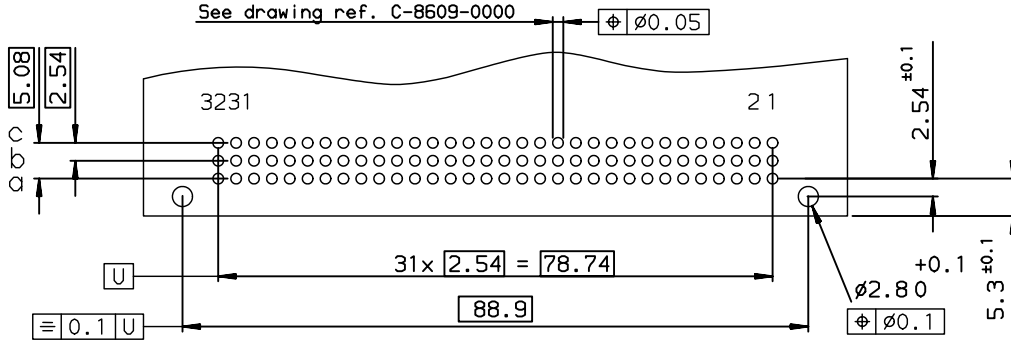


TERMINATION



P.C. CARD DRILLING (Component side view)

See drawing ref. C-8609-0000



PART NUMBER : 8609-264-71-13-755-000-E1

European Views

www.fciconnect.com		surface ISO 1302 ✓	tolerance std ISO 406 ISO 1101	projection mm
TOLERANCES UNLESS OTHERWISE SPECIFIED				
Dr	LEGALLIC	2001/02/01	0.X ±0.1	size A3
Eng	LEGALLIC	2001/02/01	0.XX ±0.1	
Chr	LEGARE	2001/02/01	0.XXX ±0.1	ECN LS07-0130
Appr	LEGARE	2001/02/01		
ANGULAR		LINEAR	Scale 1.5	
Product family			DIN Spec ref -	
		STD MALE 3 ROW 64 CONTACTS catalog no -		Rev. B
			avg no C-8609-0893	sheet 1 of 1

rev	ecn no	dr	date
A	-	HLE	2001/02/01
B	LS07-0130	HLE	2007/06/04
-	-	-	-
-	-	-	-
-	-	-	-
-	-	-	-